

# FoundationPRO™

*Insulated Foundation Finishing System*

## Installation Instructions For New Construction Applications



Simultaneously  
finish and insulate  
exposed foundations.

**Contains Installation Instructions  
for New Construction Applications.**

Please see your Progressive Foam Representative for  
installation Instructions for Remodeling Applications.

# Installation Instructions: For New Construction Applications

See your Progressive Foam Representative for installation Instructions for Remodeling Applications.

## FoundationPRO™ Parts Required

FoundationPRO consists of the following three (3) parts that work together to provide a complete, installed system. Be sure you have all necessary parts before proceeding with installation.

# FoundationPRO™

*Insulated Foundation Finishing System*

### 1. Insulated Panels

You will need the appropriate panel size and R-value according to your project specifications:

Panel Sizes	R-Value	Width	Height	Thickness
<b>Small 1-Foot Panel</b>	R-10.0	48"	12"	2.207"
	R-7.5	48"	12"	1.625"
	R-5.0	48"	12"	??
<b>Medium 2-Foot Panel</b>	R-10.0	48"	24"	
	R-7.5	48"	24"	
	R-5.0	48"	24"	
<b>Larger 12-Foot Panel</b>	R-10.0	48"	144"	2.207"
	R-7.5	48"	24"	1.625"
	R-5.0	48"	24"	??



### 2. Bottom J-Channel

The preferred part to support the bottom of the panel on the wall is the FoundationPRO Bottom J-Channel. This pre-formed channel is manufactured specifically for installation of the FoundationPRO panels to ensure proper installation and warranty coverage. You also can custom-make bottom channels using trim coil.

Description	Length	Bottom of J	Side Face of J
<b>Bottom of J Channel</b>	10'	??	??



### 3. Top Cap L-Channel

The preferred part to secure the top of the panel on the wall is the FoundationPRO Top Cap L-Channel. This pre-formed channel is manufactured specifically for installation of the FoundationPRO panels to ensure proper installation and warranty coverage. You also can custom-make top channels using trim coil.

Description	Length	Bottom of J	Side Face of J
<b>Top of J Channel</b>	10'	??	??



## Tools and Materials

### Required

#### ■ Power Fastening Tool and Fasteners

Powder-actuated or pneumatic masonry fasteners are required to attach the FoundationPRO system to a concrete foundation wall. Minimum fastener length is 2". Examples of fastening methods include:

- Powder-Actuated Tool (PAT) such as a Hilti® or Ramset® with Masonry Nails/Pins
- Air-Compressed Driven Masonry Nails
- Tapcon® Masonry Screws

Consult your local building codes for further information.



Snips



Utility Knife



Tape Measure



Straight Edge



Chalk Line



Marker/Pencil

### Optional

- Hot Knives/Hot-Wire Cutting Tool – Speeds up foam cutting for cutting the "V" groove needed to make corners.
- Circular Saw – For cuts along the 48" length
- Speed Square



## IMPORTANT!

It is recommended to select a starting point and move around the house in one direction. Take into consideration where corners will fall on a given panel seam or joint, as you will need to "bend" the panel around each corner.

**READ THE INSTRUCTIONS IN THEIR ENTIRETY  
FROM BEGINNING TO END BEFORE STARTING INSTALLATION.**

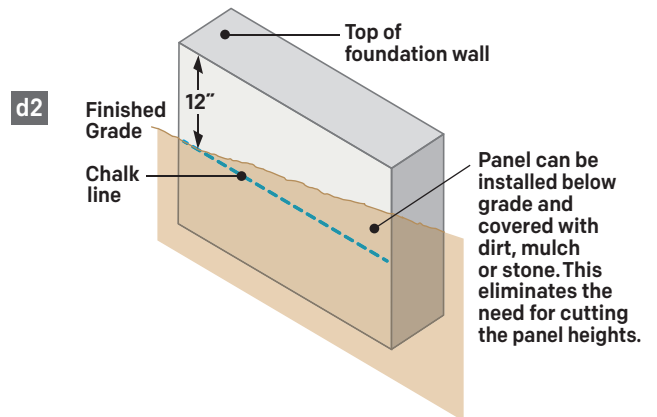
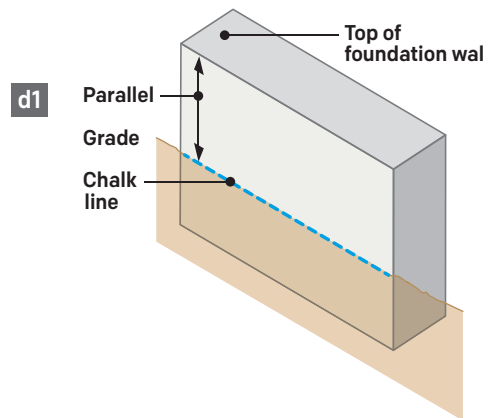
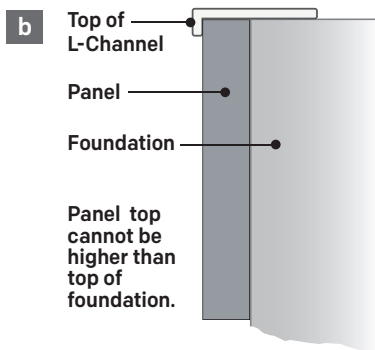
## Getting Started

- FoundationPRO panels are designed to be used "as-is" per standard stock sizes. *NOTE: If necessary, you may cut the panels to meet your requirements.*
- Establish the estimated position of the grade – i.e. where the ground starts and FoundationPRO will stop. This determines placement and position of the panel.
- The Bottom J-Channel can be left visible or buried by the backfill or landscaping. **This should be determined prior to installation.**

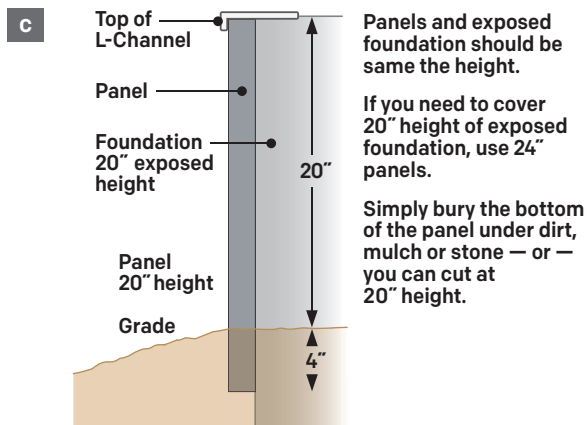
# Straight Runs

## STEP 1: Bottom J-Channel

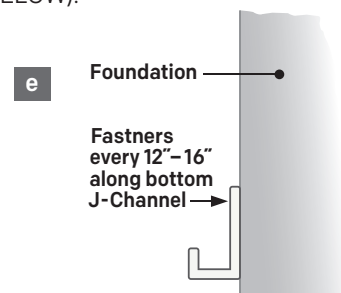
- a. **IMPORTANT!** This is a critical step to proper installation. Proper positioning of the Bottom J-channel can eliminate the need for cutting the panels.
- b. Regardless of Bottom J-Channel position, it is important to take into account the top variations in the foundation. The panel position should NOT be higher than the top of the foundation wall (e.g. is must NOT interfere with sill plates, rim joist framing or siding installation).



- c. Confirm the required panel height before determining position of the Bottom J-Channel.



- e. Fasten Bottom J-Channel to the wall with fasteners placed 12" to 16" on center. Ensure that the installed panel is securely held in place.
- f. Continue this method around the perimeter of the building and address termination points and corners as needed. (SEE DETAILS BELOW).



### d. TWO OPTIONS FOR DETERMINING BOTTOM J-CHANNEL POSITION:

#### 1. PARALLEL TO TOP OF FOUNDATION WALL

- Establish a straight line at grade (i.e. snap a chalk line) to position the bottom J-channel on the foundation wall.
- This line will be used to align the bottom J-channel that holds the panel in place.

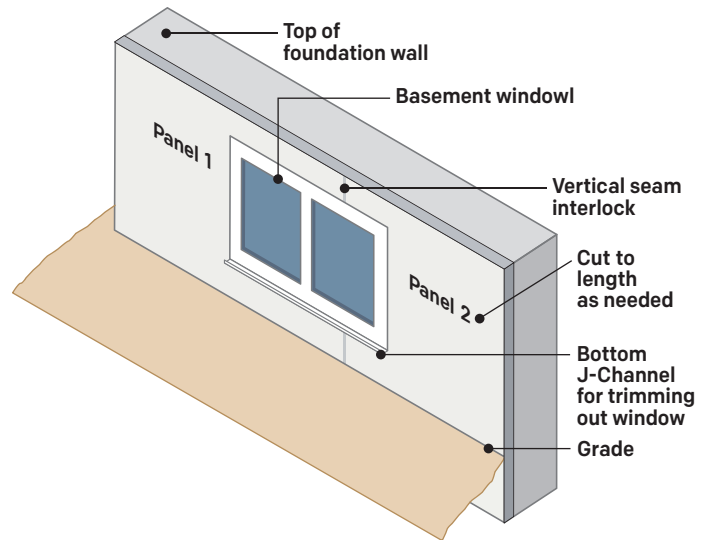
—OR—

#### 2. PARALLEL TO FINISHED GRADE

- You can install the Bottom J-channel to follow (match) the angle of the finished grade.

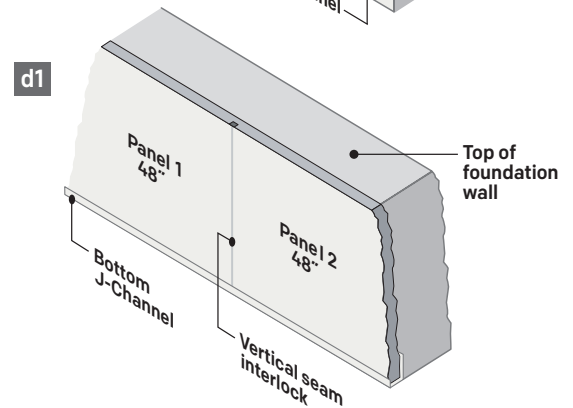
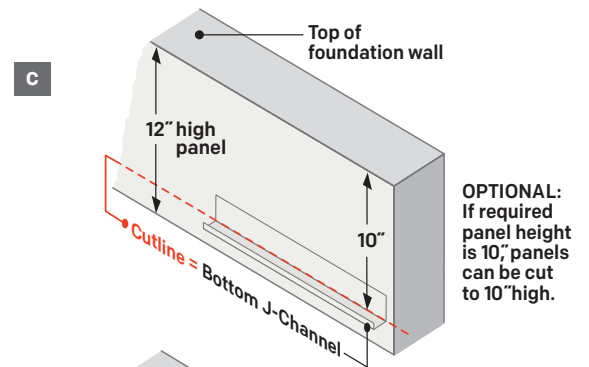
### Termination Points (Windows, Entryways, Etc.)

Termination points any part of the wall where there is a break Ex: window wells, doors, stairwells. Channels and panels may be cut at any termination point as needed where there is a break in a continuous run. Bottom J-Channel may be used to finish cut edges of the panels.



## STEP 2: FoundationPRO™ Panels

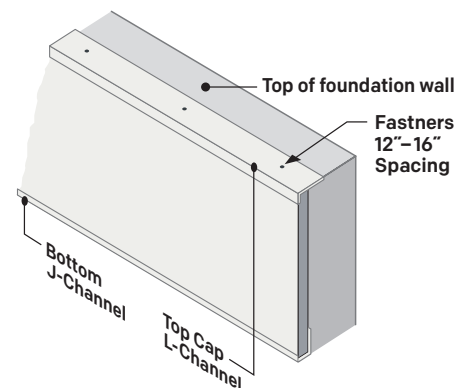
- Confirm the desired height of the installed panel. Measure the panels to confirm accuracy of the finished installation.
- Re-verify that the position of the installed panel height will not interfere with framing once the panel is installed. The top edge of the panel cannot break the plane of the top of the foundation wall.
- OPTIONAL: If necessary, cut the height of the panel to fit your application. You may need to cut the panel height if you are not using a stock size panel. To verify panel height, measure from bottom of the Bottom J-channel to desired height (not to exceed top of foundation wall).
- Panel installation
  - Once panel is cut the desired height place panel in the Bottom J-Channel with the seams in a vertical position. Verify proper fit and appearance. [insert drawing or picture]
  - Connect panels together using the built-in interlock; Each panel [~48"] locks together along the vertical seam.
  - Place a section continue to the next step (Top Cap L-Channel).



See Corner Installation details on pages 6–7.

## STEP 3: Top L-Channel

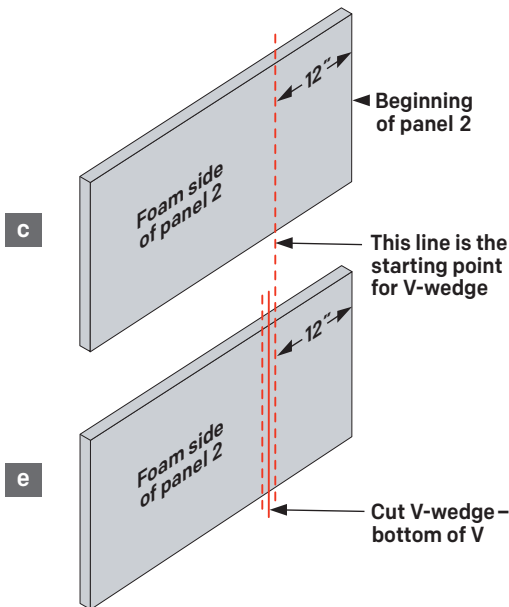
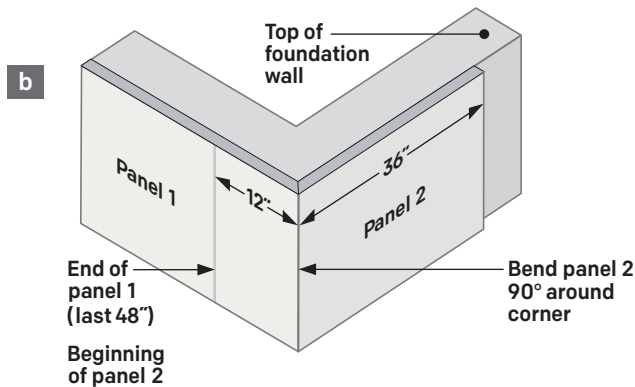
- Ensure panels are in the desired position.
- While holding top of panel in place, position the Top Cap L-Channel over the top of the panel and foundation wall.
- Trim and notch Top Cap L-Channel as needed.
- Ensure a snug fit of the panel against the foundation.
- Attach Top Cap L-Channel through the top and into the top of the foundation wall using desired masonry anchor.



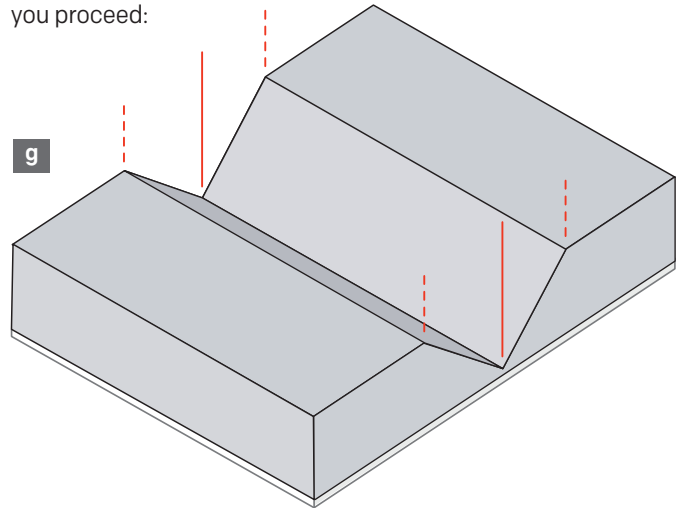
# Corners

## 1 Outside Corners

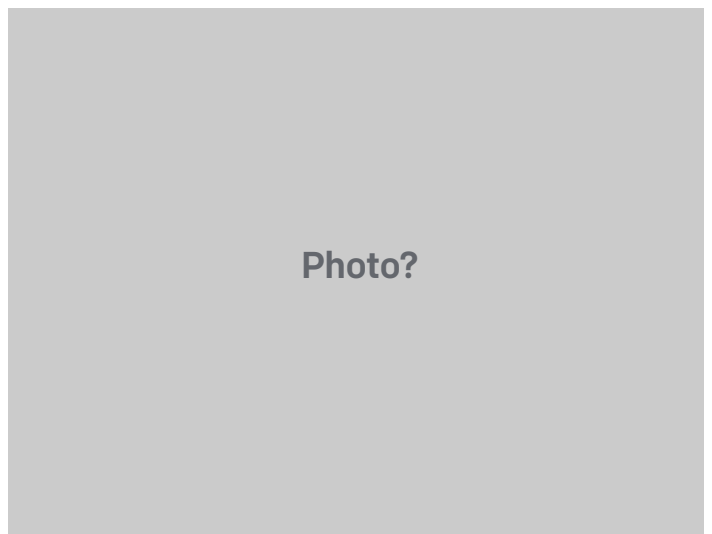
- FoundationPRO can be easily installed on outside corners by cutting a V-shaped wedge in the foam and bending the panel around the corner.
- Determine position of the bent corner by measuring the distance between the last FoundationPRO installed panel on the wall and the point of the corner on the wall. Mark this point with a straight line on the foam.
- Use this line as the starting point for the V-wedge.
- Place the V-wedge position to the far side of this line.



- Cut a 90-degree V-wedge (two 45-degree cuts) in the backside foam using a utility knife (or hot wire cutter). This wedge needs to run top-to-bottom evenly in the back side foam.
- Remove the V-cut foam and discard.
- This is what the corner-cut panel and the Bottom J-Channels should look like before you proceed:



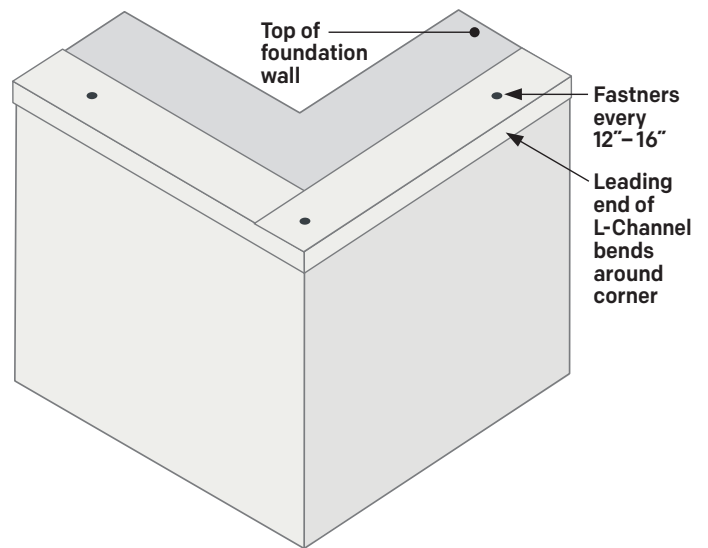
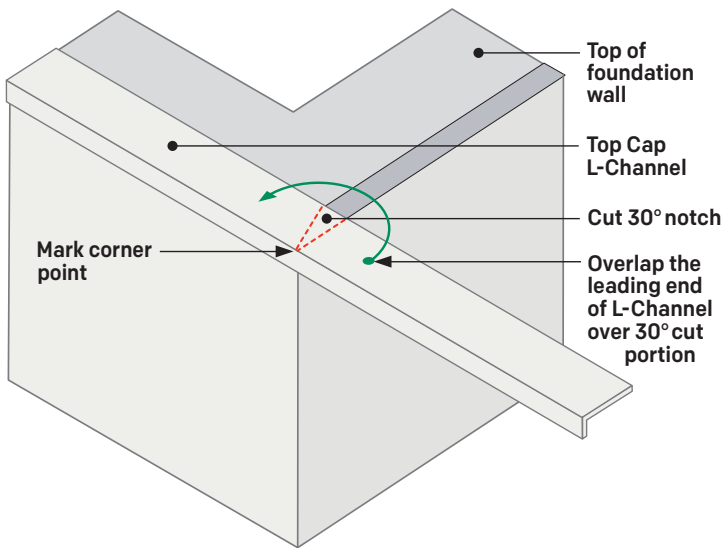
- Bend the panel around the corner at 90 degrees. Panel will bend easily to form the corner.
- Place the 90-degree bent corner panel in the already installed Bottom J-Channels. NOTE: The edges of the V-groove may not fully meet.
- When you finish the following steps, it should look like this:



## Installing the Top Cap L-Channel Accessory on Corners:

- Mark the Top L-Channel at the corner point on the wide side (top) of the channel.
- Mark this point on the wide side. This will be positioned on the top of the wall.
- Cut a 30-degree notch in the wide side (top) as shown.
- Bend the channel at the short edge and overlap to create the finished corner. PHOTO
- Install fasteners every 12-16" through the top of the L-channel directly into the top of foundation wall.

**IMPORTANT! For masonry block, make sure the fasteners go into the actual block and not into the cavity!**



## 2 Inside Corners

- Butt inside corners or use Bottom J-Channel to ensure proper appearance.
- Butt the panel to the adjoining foundation wall.
- OPTIONAL: The Bottom J-Channel can be used to finish cut edges, including Inside Corners.**

**No need for inside tops to overlap because will be covered by exterior wall.**

